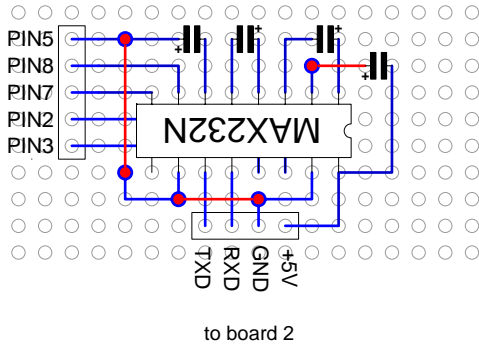


# Gallerydrive standard programming / debugging connector

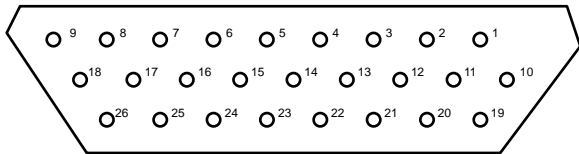
1.11.2006 Niklas Roy

to programming/debugging connector (26-pin / 3-row sub-d, female)  
 For rs232 connection, pin 1-9 is used. Pin numbers are equal to 9-pin sub-d rs232 connector.



MAX232N driver/receiver placed under yampp-module to connect board2/Atmega8 with GDdoctor.

— wiring on solder side  
 — wiring on parts side



26-pin 3-row female sub-d programming/debugging connector at wheelchair side

## Programming/debugging cable

