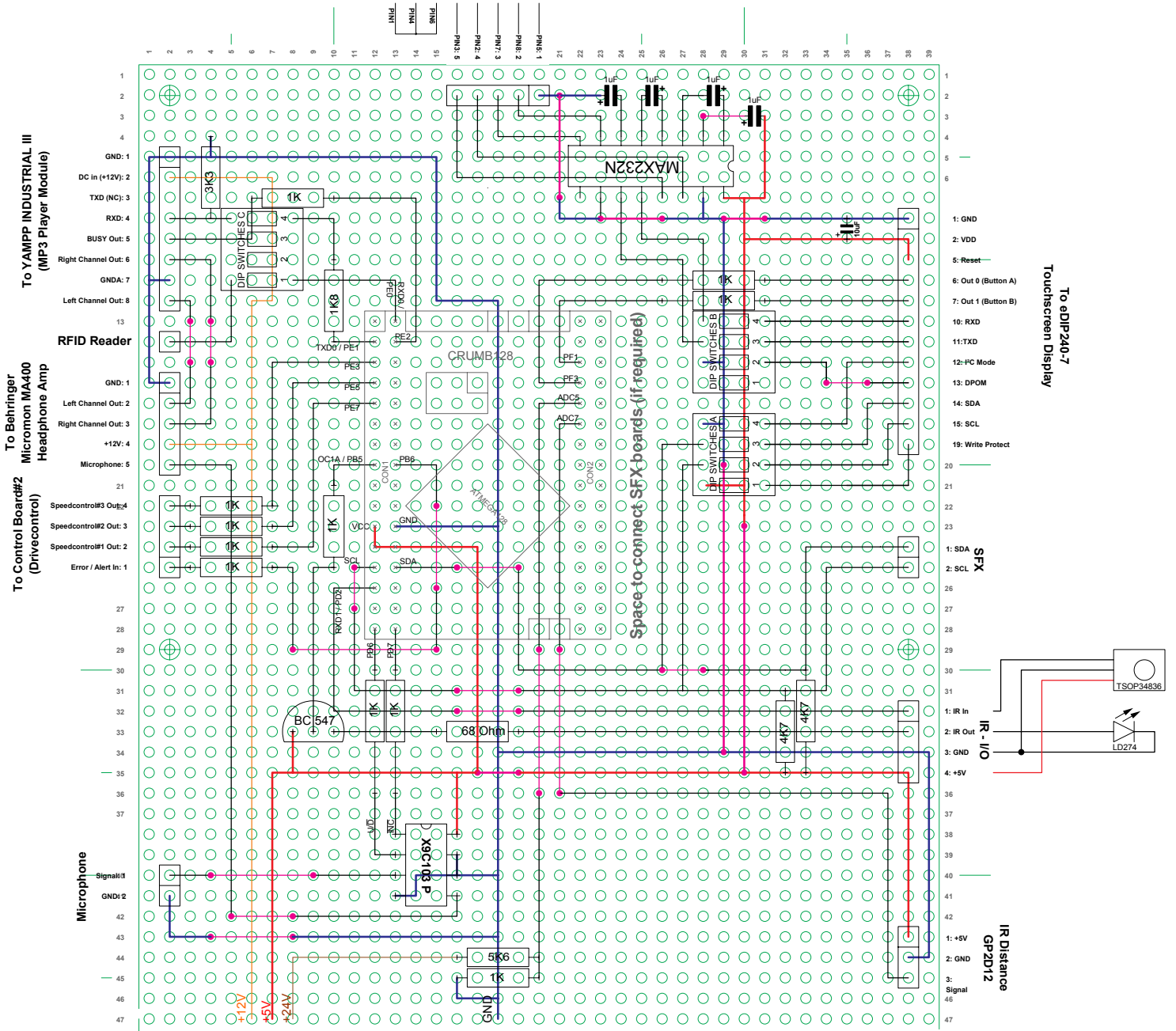


Entertainment Control Unit (Board#3 / Maincontrol) from 12.11.2006

RS232 Programming
connector for eDIP240-7

PINx specifies the pin number on 9-
pol sub-d connector at the PC.

Please do not forget to interconnect
PIN4, PIN6 & PIN1 on PC side as well.



The lower space on this board is used for fuses and power distribution