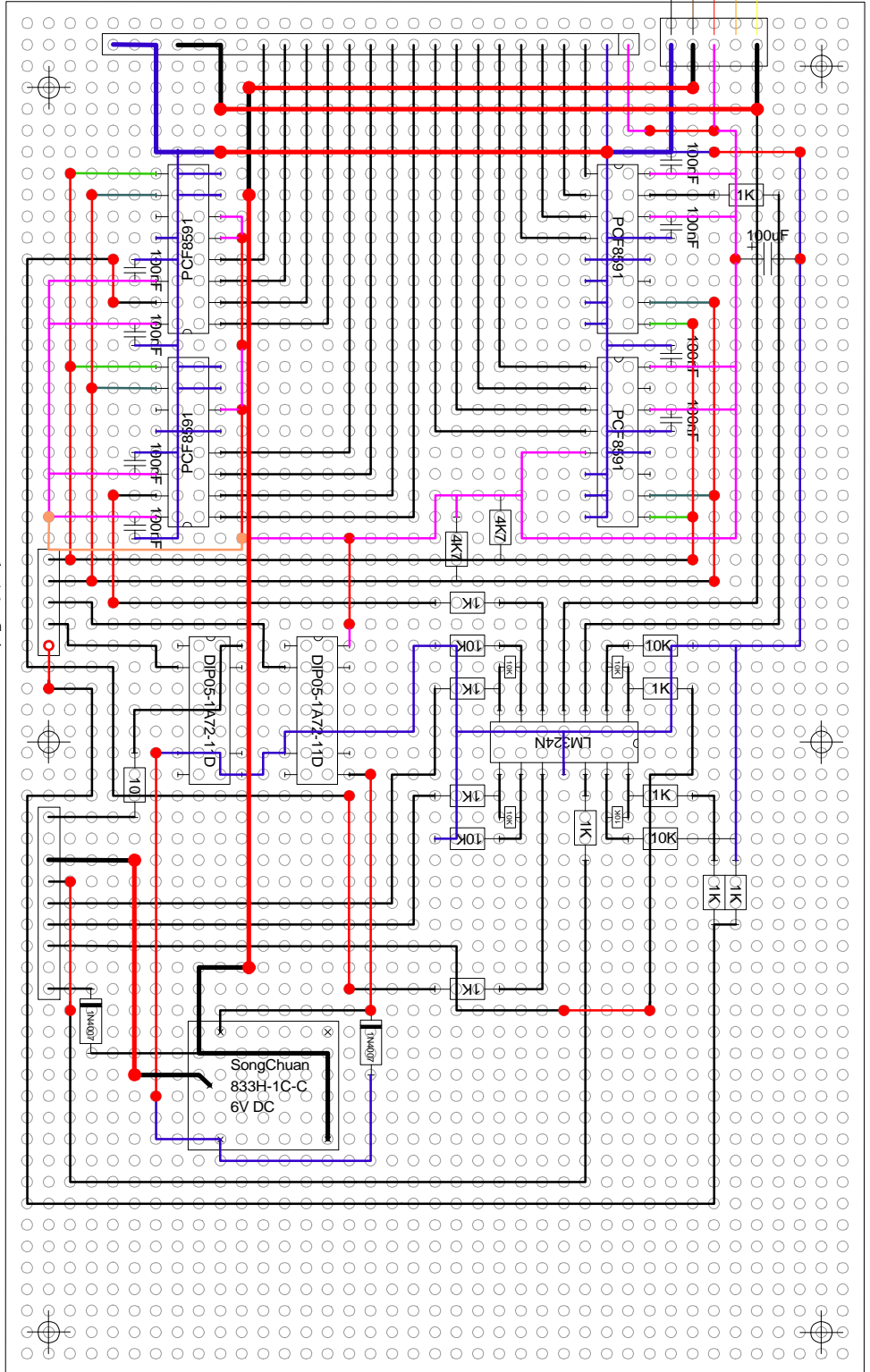


25-Pol SUB-D to line detection Unit

Power supply

- 1: +5V
- 2: Anlg GND
- 3: Sensor 1
- 4: Sensor 2
- 5: Sensor 1b
- 6: Sensor 4
- 7: Sensor 5
- 8: Sensor 6
- 9: Sensor 7
- 10: Sensor 2b
- 11: Sensor 9
- 12: Sensor 10
- 13: Sensor 11
- 14: Sensor 12
- 15: Sensor 2a5
- 16: Sensor 14
- 17: Sensor 15
- 18: Sensor 16
- 19: NC
- 20: +12V 30
- 21: +12V
- 22: +12V
- 23: GND
- 24: GND
- 25: GND 35



Meyra Sprint 12C control board from 9.5.2006

The drawing is seen from top

Width of grid is 2.54 mm

Wires on top of board are drawn in red/orange

GND is drawn blue

+5V is drawn magenta

Use thick wire for thicker lines

to controller

Sub-D wheel chair